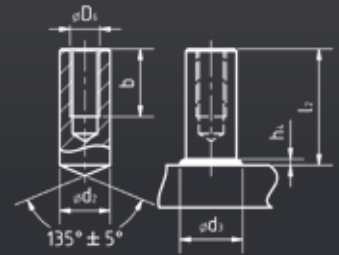


# KÖCO ID

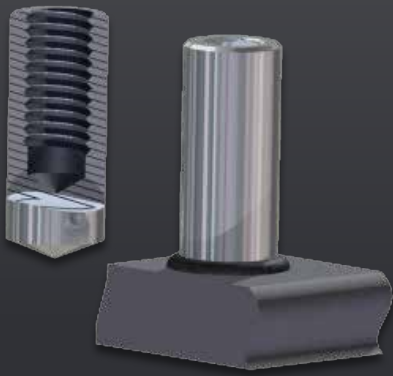
## Drawn arc tapped stud

- Part-no. applies to steel, grade 4.8, uncoated.
- Other types and dimensions upon request.



D <sub>1</sub>	L <sub>2</sub>	d <sub>2</sub>	b	h <sub>4</sub> <sup>1</sup>	d <sub>3</sub> <sup>1</sup>	Part-no.	Mass kg/100	Ceramic ferrule	Chuck	Ferrule Grip	Foot Assembly
M6	15	10	9	4	13	006-0021-001	0,79	UF 10	350-0008-000	355-0002-000	360-0101-000 K 360-0013-000 SK
	20					006-0021-001	1,10		350-0009-000		
	25					006-0024-001	1,41				
	30					006-0025-001	1,71				
	35					006-0026-001	2,02				
	40					006-0027-001	2,33				
	50					006-0030-001	2,95				
	60					006-0032-001	3,56				
M8	15	12	12	5	16	006-0061-001	0,98	UF 12	350-0010-000	355-0003-000	360-0101-000 K 360-0013-000 SK
	20					006-0064-001	1,43		350-0011-000		
	25					006-0065-001	1,87				
	30					006-0066-001	2,32				
	35					006-0068-001	2,76				
	50					006-0071-001	4,10				
	60					006-0074-001	4,98				
	80					006-0078-001	6,76				
100	006-0082-001	8,53									
M8	22	14,6	12	6	18,5	006-0110-001	2,60	PF 16)	350-0014-000		
	25					006-0111-001	3,0				
	30					006-0123-001	3,65				
	40					006-0109-001	4,97				
M10	25	16	15	7	21	006-0233-001	3,3	UF 16	350-0015-000	355-0004-000	360-0101-000 K 360-0013-000 SK
	30					006-0234-001	4,09		350-0016-000		
	35					006-0235-001	4,88				
	40					006-0236-001	5,66				
	50					006-0238-001	7,24				
	55					006-0240-001	8,03				
	60					006-0245-001	8,82				
	70					006-0247-001	10,4				
	80					006-0243-001	12,0				
	100					006-0244-001	15,1				
M12	25	18,2	18	7	23	006-0275-001	3,94	PF 20	350-0017-000	355-0005-000	360-0101-000 K 360-0013-000 SK
	30					006-0269-001	4,96				
	35					006-0268-001	5,98				
	40					006-0309-001	7,0				

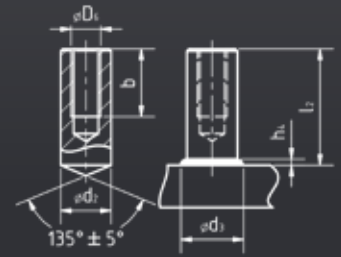
<sup>1</sup> h<sub>4</sub> and d<sub>3</sub> are approximate values.



# KÖCO ID

## Drawn arc tapped stud

- Part-no. applies to steel, grade 4.8, uncoated.
- Other types and dimensions upon request.



$D_1$	$L_2$	$d_2$	$b$	$h_4^1$	$d_3^1$	Part-no.	Mass kg/100	Ceramic ferrule	Chuck	Ferrule Grip	Foot Assembly
M12	45	18,2	18	7	21	006-0326-001	8,02	PF 20	350-0017-000	355-0005-000	360-0101-000 K 360-0013-000 SK
	50					006-0272-001	9,05				
	60					006-0273-001	11,09				
	70					006-0285-001	13,13				
	80					006-0286-001	15,17				
	100					006-0284-001	19,26				

<sup>1</sup>  $h_4$  and  $d_3$  are approximate values.