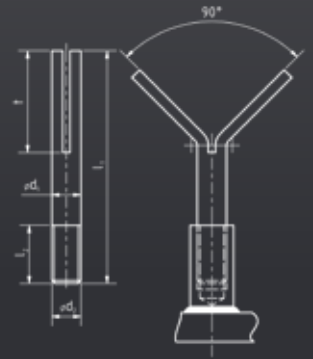


KÖCO KSST/G

Drawn arc slotted stud with thread

■ Other types and dimensions upon request.



d_1	l_2	t	d_2	l_3^1	Part-no.	Mass kg/100	Ceramic ferrule
10	50	15	M10	10	Upon request.		Depends on type of tapped stud.
	75	40					
	100	50					
	140						
	170						
	200						
12	50		M12	15	Upon request.		Depends on type of tapped stud.
	75						
	100						
	140						
	170						
	200						

¹ h_2 , s_1 and d_3 are approximate values.