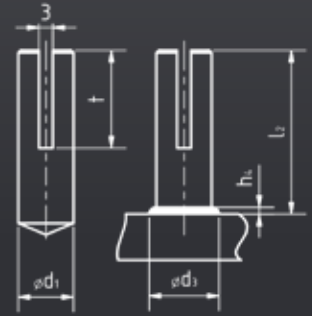




KÖCO KSST

Drawn arc slotted stud

- Part-no. applies to material 1.4841
- Other types and dimensions upon request.



d_1	l_2	t	h_2^1	d_3	Part-no.	Mass kg/100	Ceramic ferrule	Chuck	Ferrule Grip	Foot Assembly
10	30	15	4	13	021-0002-012	1,67	UF 10	350-0009-000	355-0004-000	360-0101-000
	40	20			021-0004-012	2,18				
	50	30			021-0008-012	2,58				
	65	35			021-0014-012	3,40				
	70	40			021-0015-012	3,60				
	75				021-0018-012	3,91				
	90				021-0021-012	4,84				
	100	50			021-0023-012	5,24				
	120				021-0025-012	6,47				
	250				021-0041-012	14,49				

¹ h_2 and d_3 are approximate values.