

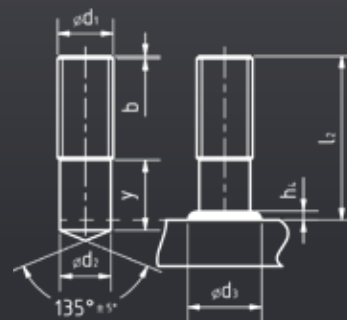


KÖCO PD

DIN EN ISO 13918

Drawn arc threaded stud with partial thread

■ Part.no. applies to steel, grade 4.8, uncoated, many dimensions available, also in 1.4301 and K800. Other types and dimensions upon request.



d_1	l_2	h_2^1	d_2	d_3^1	b	y	Part-no.	Mass kg/100	Ceramic ferrule	Chuck	Ferrule Grip	Foot Assembly
M6	20	3,5	5,35	8,5	20	9	001-0041-001	0,38	PF 6	350-0004-000	355-0002-000	360-0101-000 - K 360-0013-000 - SK
	25						001-0043-001	0,45				
	30						001-0046-001	0,55				
	35						001-0047-001	0,64				
	40						001-0048-001	0,73				
	50						001-0050-001	0,91				
	60						001-0052-001	1,08				
M8	20	3,5	7,19	10	40	9	001-0081-001	0,69	PF 8	350-0006-000	355-0003-000	360-0101-000 - K 360-0013-000 - SK
	25						001-0085-001	0,84				
	30						001-0087-001	1,0				
	35						001-0088-001	1,16				
	40						001-0093-001	1,32				
	45						001-0096-001	1,48				
	50						001-0097-001	1,64				
	55						001-0098-001	1,8				
	60						001-0099-001	1,96				
	80						001-0104-001	2,6				
	100						001-0108-001	3,18				
M10	20	4	9,03	12,5	40	9,5	001-0191-001	1,09	PF 10	350-0008-000	355-0004-000	360-0101-000 - K 360-0013-000 SK
	25						001-0192-001	1,34				
	30						001-0193-001	1,57				
	35						001-0197-001	1,84				
	40						001-0201-001	2,09				
	50						001-0207-001	2,60				
	55						001-0210-001	2,85				
	60						001-0218-001	3,08				
	70						001-0222-001	3,60				
	80						001-0224-001	4,10				
	100						001-0232-001	5,11				
	140						001-0243-001	7,12				
	150						001-0386-001	7,62				
	160						001-0261-001	8,13				
	M12						25	4,5		10,86		
30		001-0296-001	2,31									
35		001-0298-001	2,64									
40		001-0300-001	3,04									
45		001-0302-001	3,40									

¹ h_2 and d_3 are approximate values.



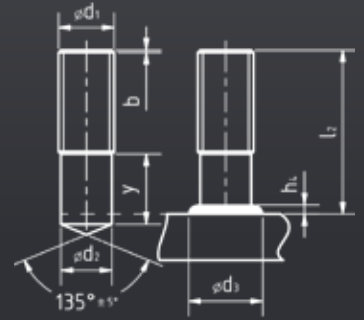


KÖCO PD

DIN EN ISO 13918

Drawn arc threaded stud with partial thread

■ Part.no. applies to steel, grade 4.8, uncoated, many dimensions available, also in 1.4301 and K800. Other types and dimensions upon request.



d_1	L_2	h_4^1	d_2	d_3^1	b	y	Part-no.	Mass kg/100	Ceramic ferrule	Chuck	Ferrule Grip	Foot Assembly
M12	50	4,5	10,86	15,5	40		001-0305-001	3,76	PF 12	350-0011-000	355-0005-000	360-0101-000 - K 360-0013-000- SK
	60						001-0307-001	4,49				
	70						001-0310-001	5,22				
	80						001-0314-001	5,94				
	100						001-0357-001	7,40				
	120						001-0323-001	8,85				
	140						001-0328-001	10,31				
	150						001-0358-001	11,03				
	160						001-0334-001	11,76				
M16	30	6	14,7	19,5	13,5		001-0391-001	4,27	PF 16	350-0016-000	355-0007-000	360-0103-000
	35						001-0392-001	4,81				
	40						001-0393-001	5,60				
	45						001-0394-001	6,26				
	50						001-0396-001	6,93				
	55						001-0397-001	7,60				
	60				001-0398-001	8,26						
	65				001-0403-001	8,93						
	70				001-0405-001	9,59						
	75				001-0406-001	10,04						
	80				001-0407-001	10,93						
	85				001-0408-001	11,59						
	90				001-0409-001	12,26						
	100				001-0411-001	13,59						
	140				001-0421-001	18,92						
	160				001-0427-001	21,58						
M20	40	7	18,38	24,5	15,5		001-0472-001	8,80	PF 20	350-0019-000	355-0007-000	360-0103-000
	45						001-0473-001	9,85				
	50						001-0474-001	10,67				
	60				001-0476-001	12,97						
	65				001-0478-001	14,01						
	70				001-0480-001	15,05						
	80				001-0483-001	17,14						
	90				001-0485-001	18,82						
	100				001-0487-001	21,30						
	115				001-0490-001	24,42						
	120				001-0491-001	25,47						
	125				001-0492-001	26,51						

¹ h_4 and d_3 are approximate values.

