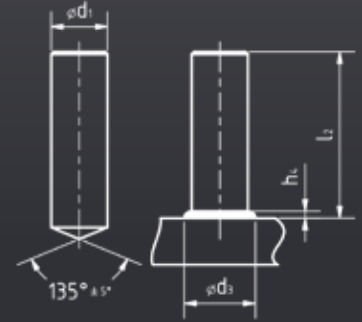


# KÖCO UD

## DIN EN ISO 13918

Drawn arc unthreaded stud

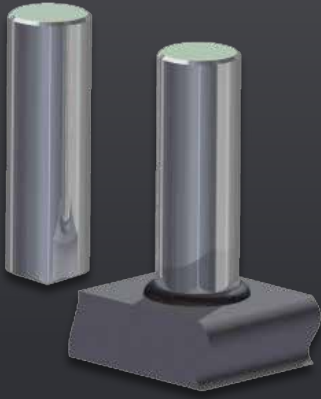
■ Part-no. applies to steel, grade 4.8, uncoated,  
Other types and dimensions upon request.



$d_1$	$L_2$	$h_2^1$	$d_3^1$	Part-no.	Mass kg/100	Ceramic ferrule	Chuck	Ferrule Grip	Foot Assembly
6	15	4	8,5	005-0001-001	0,37	UF 6	350-0004-000	355-0002-000	360-0101-000 K 360-0013-000 SK
	20			005-0002-001	0,48		350-0005-000		
	25			005-0003-001	0,59				
	30			005-0004-001	0,70				
	35			005-0005-001	0,81				
	40			005-0006-001	0,92				
	50			005-0008-001	1,14				
	60			005-0010-001	1,37				
8	15	4	11	005-0040-001	0,66	UF 8	350-0006-000	355-0003-000	360-0101-000 K 360-0013-000 SK
	20			005-0041-001	0,85		350-0007-000		
	25			005-0043-001	1,05				
	30			005-0044-001	1,25				
	35			005-0045-001	1,45				
	40			005-0047-001	1,64				
	50			005-0049-001	2,04				
	60			005-0052-001	2,43				
	80			005-0056-001	3,22				
	100			005-0060-001	4,01				
10	20	4	13	005-0110-001	1,34	UF 10	350-0008-000	355-0004-000	360-0101-000 K 360-0013-000 SK
	25			005-0111-001	1,65		350-0009-000		
	30			005-0112-001	1,96				
	35			005-0113-001	2,27				
	40			005-0114-001	2,58				
	50			005-0116-001	3,19				
	55			005-0117-001	3,26				
	60			005-0118-001	3,81				
	70			005-0120-001	4,42				
	80			005-0122-001	5,04				
	100			005-0126-001	6,28				
12	25	5	16	005-0173-001	2,39	UF 12	350-0010-000	355-0005-000	360-0101-000 K 360-0013-000 SK
	30			005-0174-001	2,84		350-0011-000		
	35			005-0175-001	3,28				
	40			005-0176-001	3,72				
	45			005-0177-001	4,17				
	50			005-0178-001	4,61				

<sup>1</sup>  $h_2$  and  $d_3$  are approximate values.



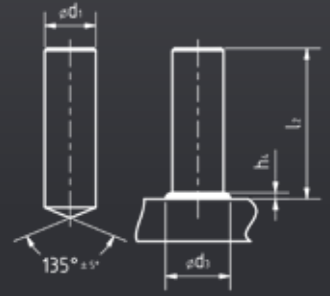


# KÖCO UD

## DIN EN ISO 13918

Drawn arc unthreaded stud

- Part-no. applies to steel, grade 4.8, uncoated, Other types and dimensions upon request.



$d_1$	$l_2$	$h_4^1$	$d_3^1$	Part-no.	Mass kg/100	Ceramic ferrule	Chuck	Ferrule Grip	Foot Assembly
12	60	5	16	005-0180-001	5,50	UF 12	350-0011-000	355-0005-000	360-0101-000 K 360-0013-000 SK
	70			005-0182-001	6,39				
	80			005-0184-001	7,27				
	100			005-0188-001	9,05				
14,6	$\geq 20$ $\leq 100$	6	18,5			PF 16	350-0014-000		
16	$\geq 20$ $\leq 100$	7	21			UF 16	350-0016-000	355-0007-000	360-0103-000

<sup>1</sup>  $h_4$  and  $d_3$  are approximate values.