

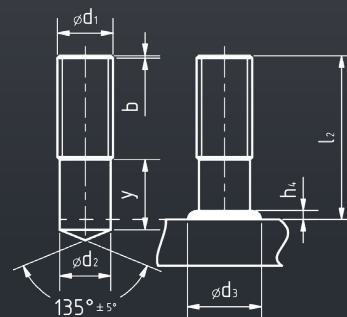


KÖCO PD

DIN EN ISO 13918

Drawn arc threaded stud with partial thread

■ Part.no. applies to steel, grade 4.8, uncoated, many dimensions available, also in 1.4301 and K800. Other types and dimensions upon request.



| d_1 | l_2 | h_1^1 | d_2 | d_3^1 | b | y | Part-no. | Mass kg/100 | Ceramic ferrule | Chuck | Ferrule Grip | Foot Assembly |
|-------|-------|---------|-------|---------|------|------|--------------|-------------|-----------------|--------------|--------------|---------------------------------------|
| M6 | 20 | 3,5 | 5,35 | 8,5 | 20 | 9 | 001-0041-001 | 0,38 | PF 6 | 350-0004-000 | 355-0002-000 | 360-0101-000 - K 360-0013-000 - SK |
| | 25 | | | | | | 001-0043-001 | 0,45 | | | | |
| | 30 | | | | | | 001-0046-001 | 0,55 | | | | |
| | 35 | | | | | | 001-0047-001 | 0,64 | | | | |
| | 40 | | | | | | 001-0048-001 | 0,73 | | | | |
| | 50 | | | | | | 001-0050-001 | 0,91 | | | | |
| | 60 | | | | | | 001-0052-001 | 1,08 | | | | |
| M8 | 20 | 3,5 | 7,19 | 10 | 40 | 9 | 001-0081-001 | 0,69 | PF 8 | 350-0006-000 | 355-0003-000 | 360-0101-000 - K 360-0013-000 - SK |
| | 25 | | | | | | 001-0085-001 | 0,84 | | | | |
| | 30 | | | | | | 001-0087-001 | 1,0 | | | | |
| | 35 | | | | | | 001-0088-001 | 1,16 | | | | |
| | 40 | | | | | | 001-0093-001 | 1,32 | | | | |
| | 45 | | | | | | 001-0096-001 | 1,48 | | | | |
| | 50 | | | | | | 001-0097-001 | 1,64 | | | | |
| | 55 | | | | | | 001-0098-001 | 1,8 | | | | |
| | 60 | | | | | | 001-0099-001 | 1,96 | | | | |
| | 80 | | | | | | 001-0104-001 | 2,6 | | | | |
| | 100 | | | | | | 001-0108-001 | 3,18 | | | | |
| M10 | 20 | 4 | 9,03 | 12,5 | 40 | 9,5 | 001-0191-001 | 1,09 | PF 10 | 350-0008-000 | 355-0004-000 | 360-0101-000 - K 360-0013-000 SK |
| | 25 | | | | | | 001-0192-001 | 1,34 | | | | |
| | 30 | | | | | | 001-0193-001 | 1,57 | | | | |
| | 35 | | | | | | 001-0197-001 | 1,84 | | | | |
| | 40 | | | | | | 001-0201-001 | 2,09 | | | | |
| | 50 | | | | | | 001-0207-001 | 2,60 | | | | |
| | 55 | | | | | | 001-0210-001 | 2,85 | | | | |
| | 60 | | | | | | 001-0218-001 | 3,08 | | | | |
| | 70 | | | | | | 001-0222-001 | 3,60 | | | | |
| | 80 | | | | | | 001-0224-001 | 4,10 | | | | |
| | 100 | | | | | | 001-0232-001 | 5,11 | | | | |
| | 140 | | | | | | 001-0243-001 | 7,12 | | | | |
| | 150 | | | | | | 001-0386-001 | 7,62 | | | | |
| | 160 | | | | | | 001-0261-001 | 8,13 | | | | |
| M12 | 25 | 4,5 | 10,86 | 15,5 | 11,5 | 11,5 | 001-0294-001 | 1,95 | PF 12 | 350-0010-000 | 355-0005-000 | 360-0101-000 - K 360-0013-000 - SK |
| | 30 | | | | | | 001-0296-001 | 2,31 | | | | |
| | 35 | | | | | | 001-0298-001 | 2,64 | | | | |
| | 40 | | | | | | 001-0300-001 | 3,04 | | | | |
| | 45 | | | | | | 001-0302-001 | 3,40 | | | | |

¹ h_1 and d_3 are approximate values.

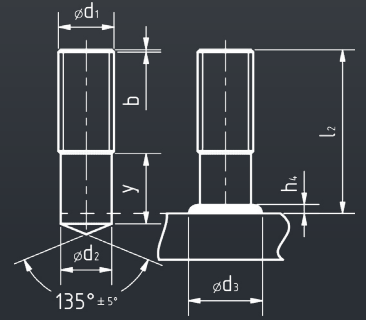


KÖCO PD

DIN EN ISO 13918

Drawn arc threaded stud with partial thread

■ Part.no. applies to steel, grade 4.8, uncoated, many dimensions available, also in 1.4301 and K800. Other types and dimensions upon request.



| d_1 | L_2 | h_4^1 | d_2 | d_3^1 | b | y | Part-no. | Mass kg/100 | Ceramic ferrule | Chuck | Ferrule Grip | Foot Assembly |
|-------|-------|---------|-------|---------|--------------|-------|--------------|----------------|--------------------|--------------|--------------|--------------------------------------|
| M12 | 50 | 4,5 | 10,86 | 15,5 | 40 | | 001-0305-001 | 3,76 | PF 12 | 350-0011-000 | 355-0005-000 | 360-0101-000 - K 360-0013-000- SK |
| | 60 | | | | | | 001-0307-001 | 4,49 | | | | |
| | 70 | | | | | | 001-0310-001 | 5,22 | | | | |
| | 80 | | | | | | 001-0314-001 | 5,94 | | | | |
| | 100 | | | | | | 001-0357-001 | 7,40 | | | | |
| | 120 | | | | | | 001-0323-001 | 8,85 | | | | |
| | 140 | | | | | | 001-0328-001 | 10,31 | | | | |
| | 150 | | | | | | 001-0358-001 | 11,03 | | | | |
| | 160 | | | | | | 001-0334-001 | 11,76 | | | | |
| M16 | 30 | 6 | 14,7 | 19,5 | 40 | 13,5 | 001-0391-001 | 4,27 | PF 16 | 350-0015-000 | 355-0008-000 | 360-0103-000 |
| | 35 | | | | | | 001-0392-001 | 4,81 | | | | |
| | 40 | | | | | | 001-0393-001 | 5,60 | | | | |
| | 45 | | | | | | 001-0394-001 | 6,26 | | | | |
| | 50 | | | | | | 001-0396-001 | 6,93 | | | | |
| | 55 | | | | | | 001-0397-001 | 7,60 | | | | |
| | 60 | | | | | | 001-0398-001 | 8,26 | | | | |
| | 65 | | | | | | 001-0403-001 | 8,93 | | | | |
| | 70 | | | | 001-0405-001 | 9,59 | | | | | | |
| | 75 | | | | 50 | 80 | 001-0406-001 | 10,04 | | 350-0016-000 | | |
| | 80 | | | | | | 001-0407-001 | 10,93 | | | | |
| | 85 | | | | | | 001-0408-001 | 11,59 | | | | |
| | 90 | | | | | | 001-0409-001 | 12,26 | | | | |
| | 100 | | | | | | 001-0411-001 | 13,59 | | | | |
| | 140 | | | | | | 001-0421-001 | 18,92 | | | | |
| | 160 | | | | | | 001-0427-001 | 21,58 | | | | |
| M20 | 40 | 7 | 18,38 | 24,5 | | | 40 | 15,5 | 001-0472-001 | | 8,80 | PF 20 |
| | 45 | | | | 001-0473-001 | 9,85 | | | | | | |
| | 50 | | | | 001-0474-001 | 10,67 | | | | | | |
| | 60 | | | | 001-0476-001 | 12,97 | | | | | | |
| | 65 | | | | 001-0478-001 | 14,01 | | | | | | |
| | 70 | | | | 001-0480-001 | 15,05 | | | | | | |
| | 80 | | | | 50 | 70 | 001-0483-001 | 17,14 | 350-0019-000 | | | |
| | 90 | | | | | | 001-0485-001 | 18,82 | | | | |
| | 100 | | | | | | 001-0487-001 | 21,30 | | | | |
| | 115 | | | | | | 001-0490-001 | 24,42 | | | | |
| | 120 | | | | | | 001-0491-001 | 25,47 | | | | |
| | 125 | | | | | | 001-0492-001 | 26,51 | | | | |

¹ h_4 and d_3 are approximate values.